

MICROPOLY[®] LUBE ARCS QUOTE REQUEST FORM

Thank you for your interest in our MicroPoly Lube Arcs. We are looking forward to working with you to solve your flange wear problems. The mounting brackets for the MicroPoly Lube Arcs are custom made for your crane. To provide a quote for you, we need the following information.

DATE _____

CONTACT NAME _____ COMPANY NAME _____

ADDRESS _____

TELEPHONE _____ FAX _____ EMAIL _____

NUMBER OF WHEELS _____ WHEEL SIZE (DIAMETER) _____

MICROPOLY FORMULA REQUESTED (WE RECOMMEND MPI-0779 FOR MOST APPLIATIONS) _____

PLEASE ALSO PROVIDE THE FOLLOWING:

A) Detailed drawing of the wheel assembly

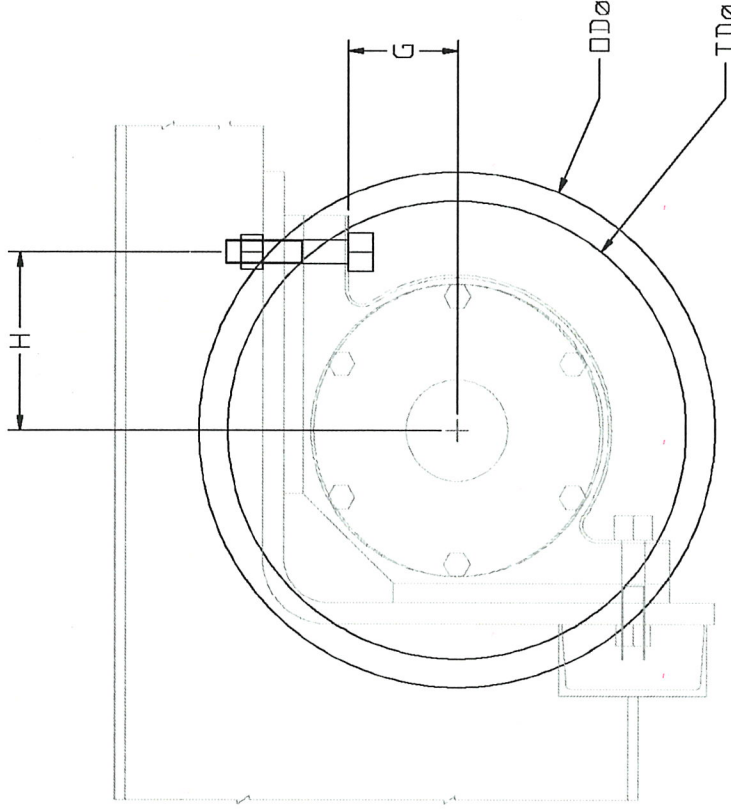
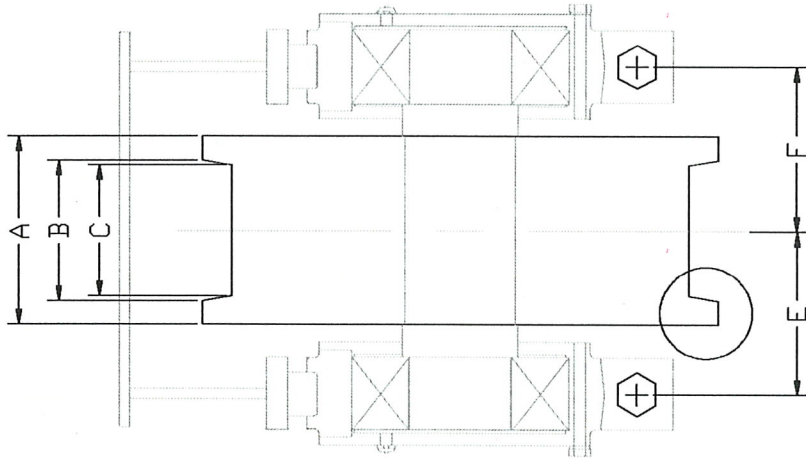
– or –

If you do not have a drawing of the wheel assembly, fill out the dimension template on the back of this form. (If your crane wheel assembly is different from the template, contact PhyMet for assistance.)

B) Drawing or description of any items that may impede the mounting brackets, e.g., rail sweep, bumper, etc.

Send the above information to salesteam@micropoly.com or mail it to PhyMet, Inc., 75 N. Pioneer Blvd., Springboro, OH 45066. Due to the custom nature of the product, it will take 2-4 weeks to finalize the quote.

Dimension Template



Dimension Symbol	Dimension Description	Dimension (in)
A	Wheel Width	
B	Flange Width	
C	Tread Width	
E	Distance to Center of the Left Bearing Housing Bolt	
F	Distance to Center of the Right Bearing Housing Bolt	
G	Vertical Distance from Center of the Wheel to Bottom of the Axle Box Bolt Head	
H	Horizontal Distance from Center of the Wheel to Center of the Axle Box Bolt	
OD	Wheel Outside Diameter	
TD	Wheel Tread Diameter	
R	Flange Radius	
T	Flange Taper Angle	

